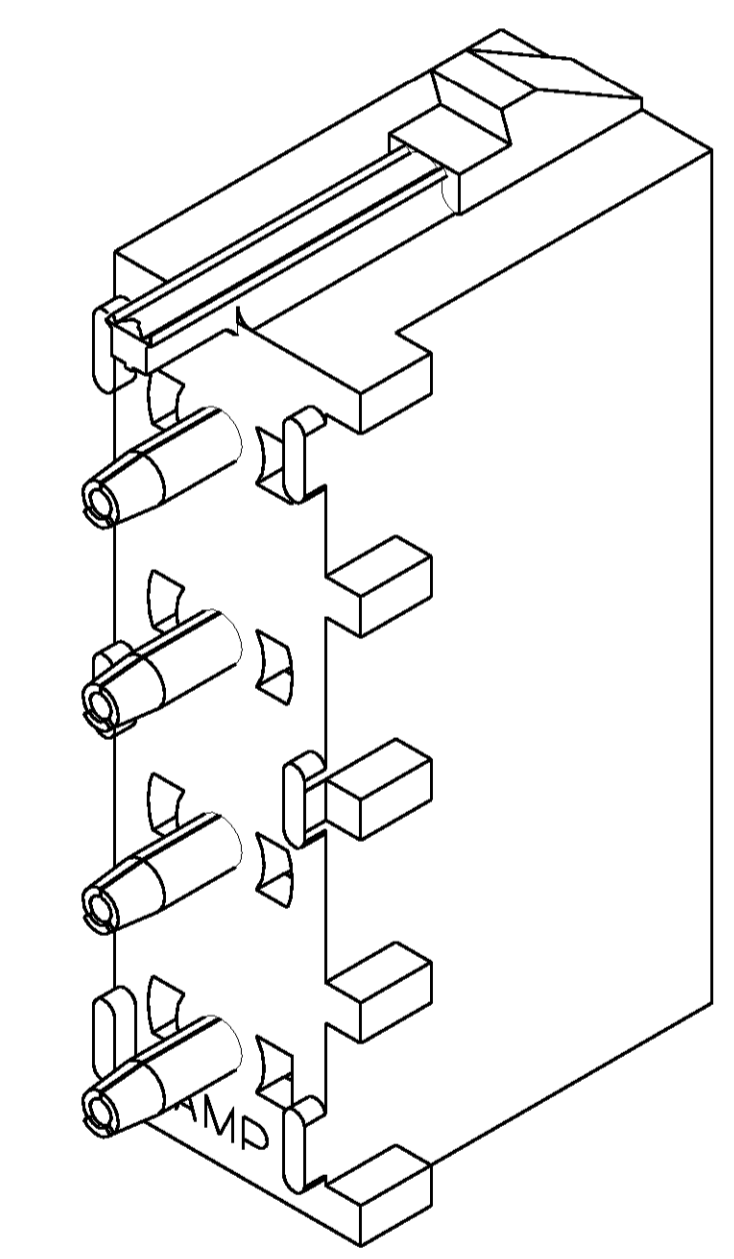
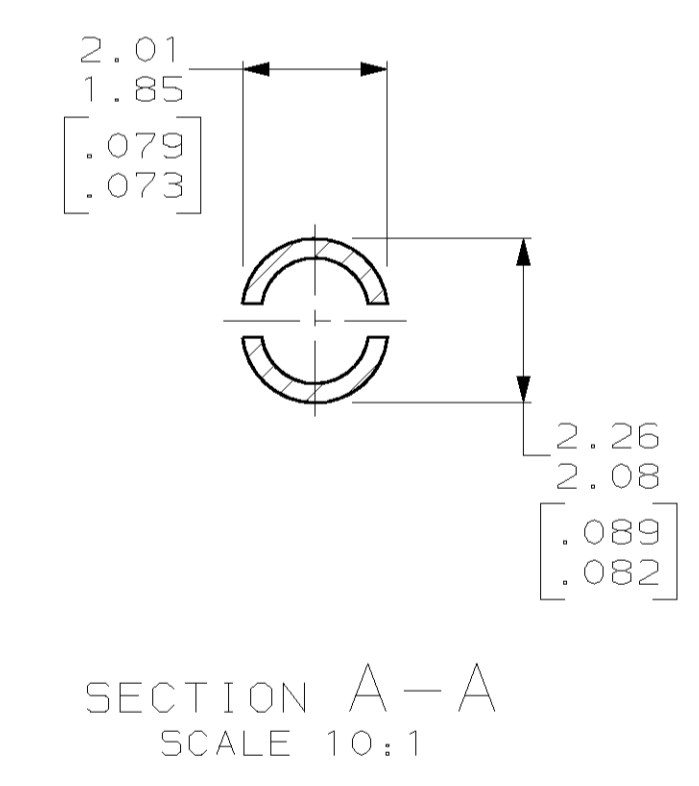
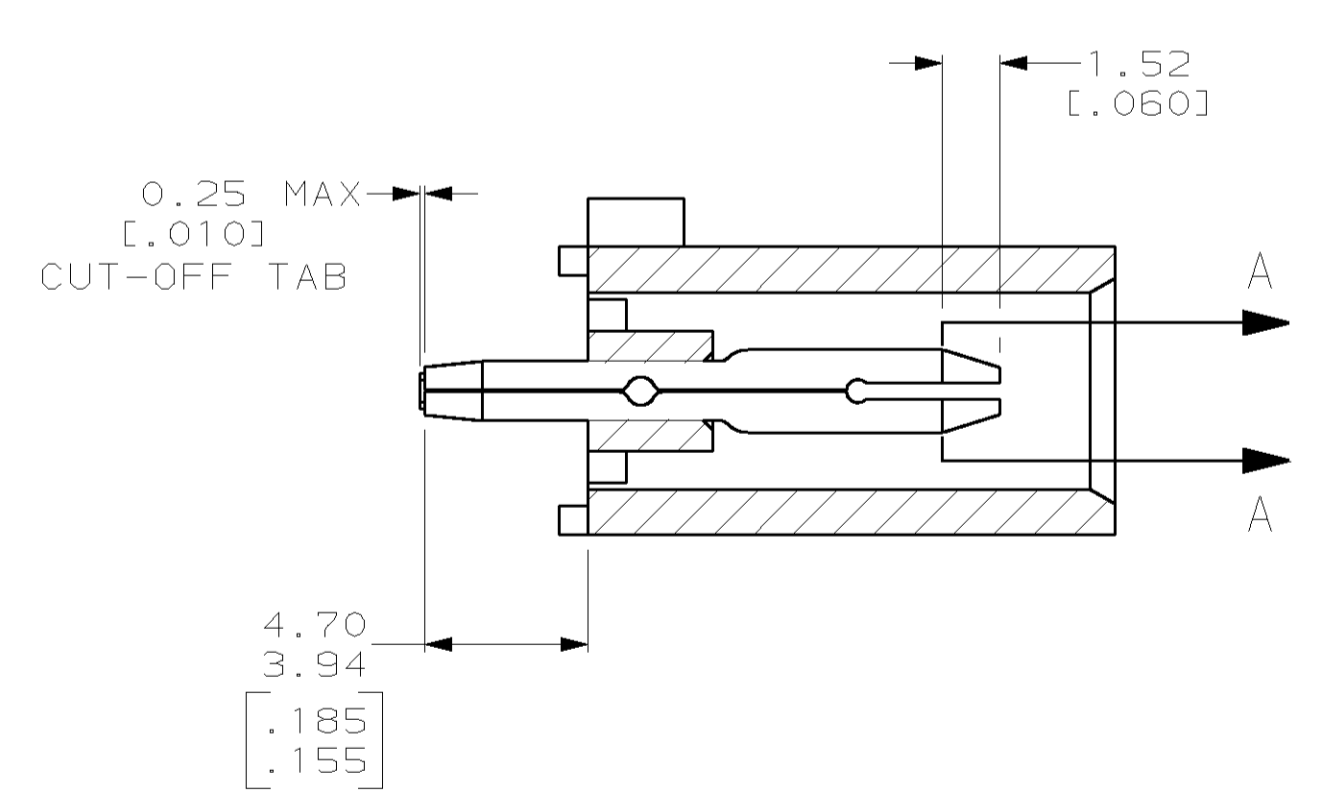
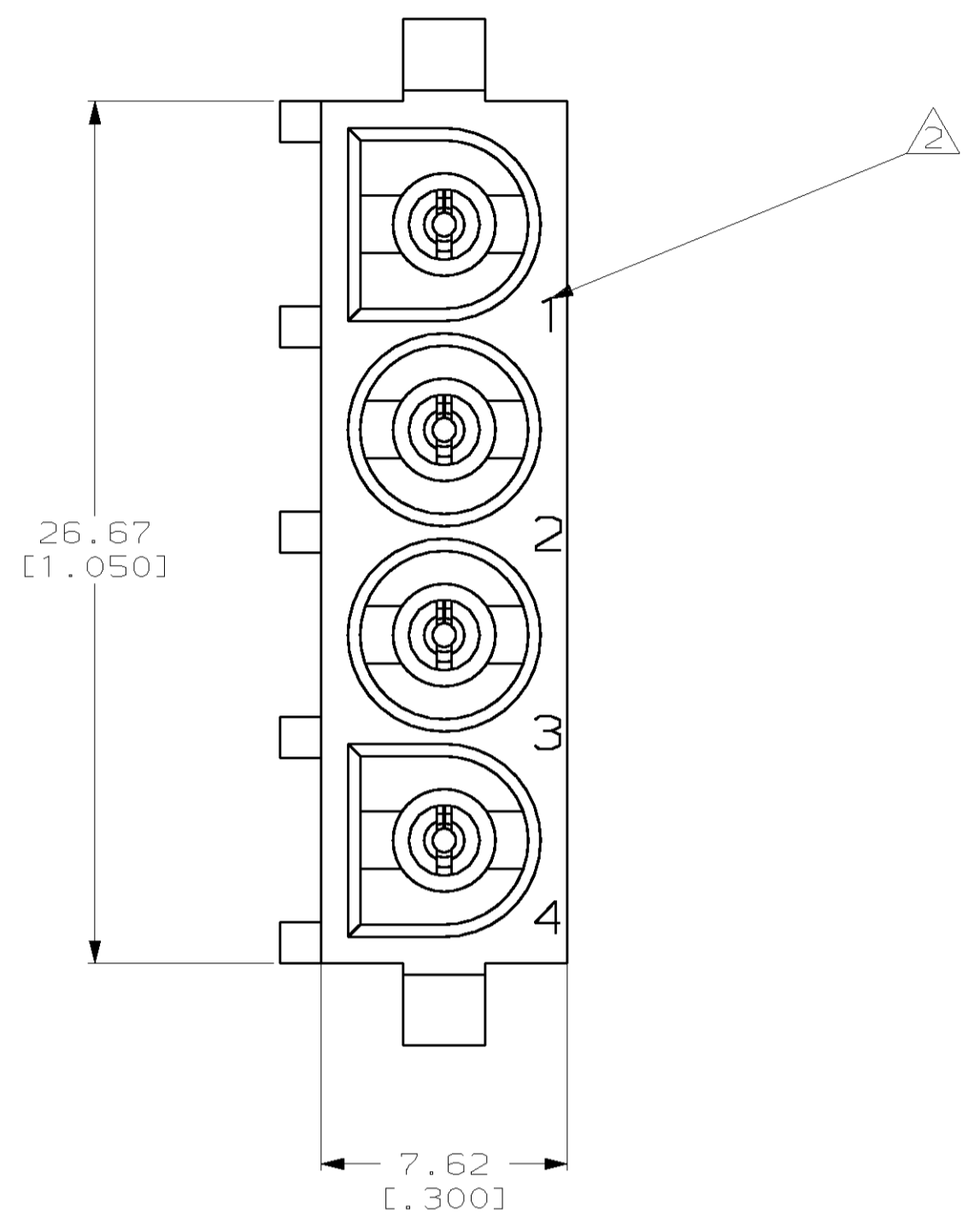
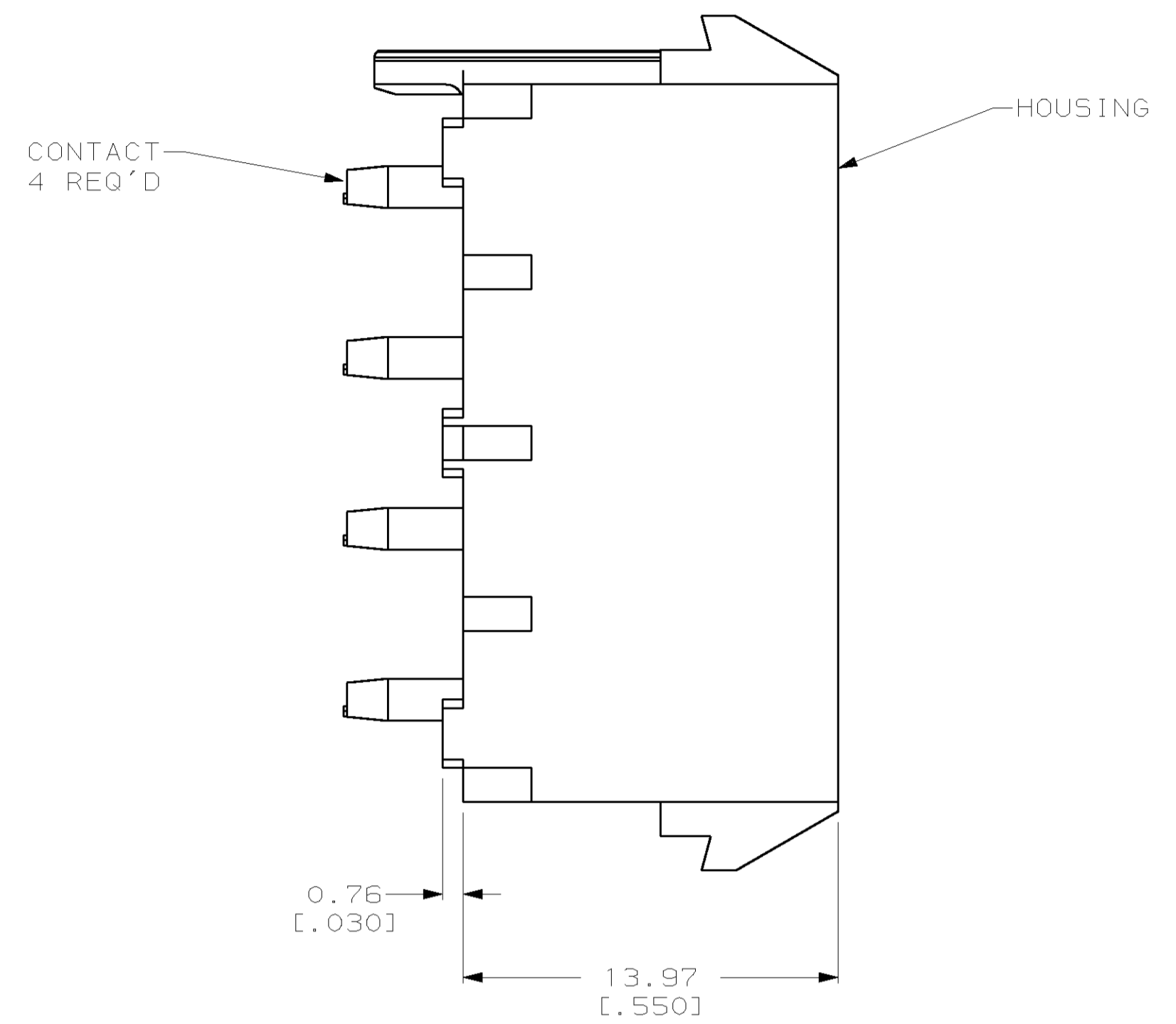
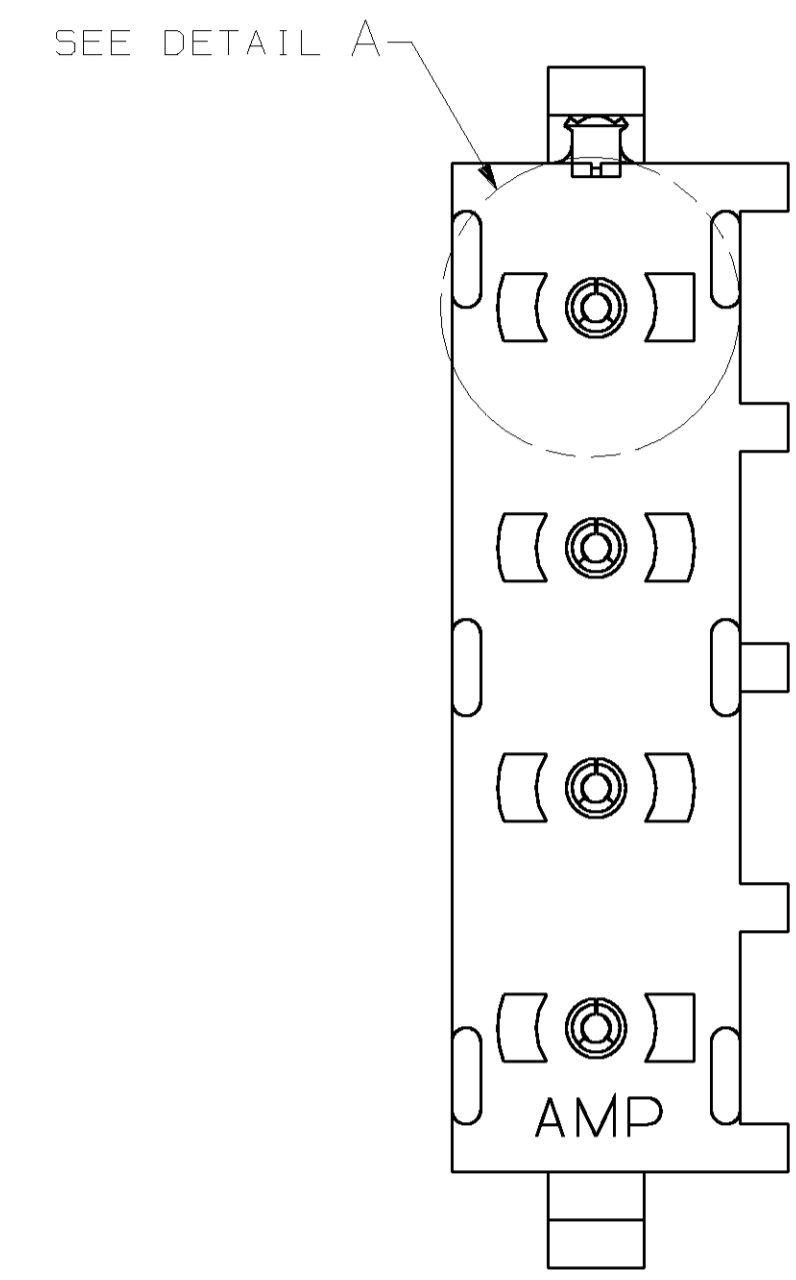
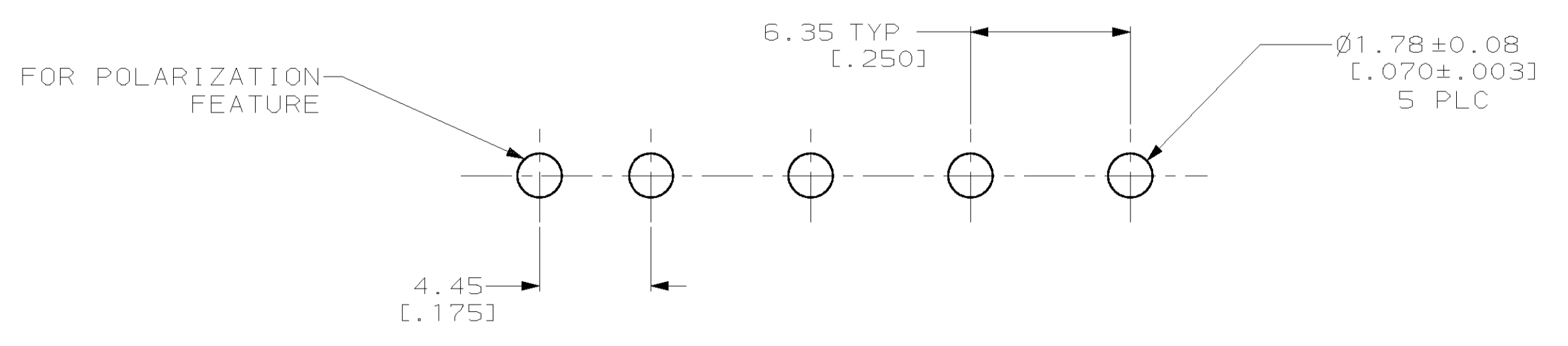
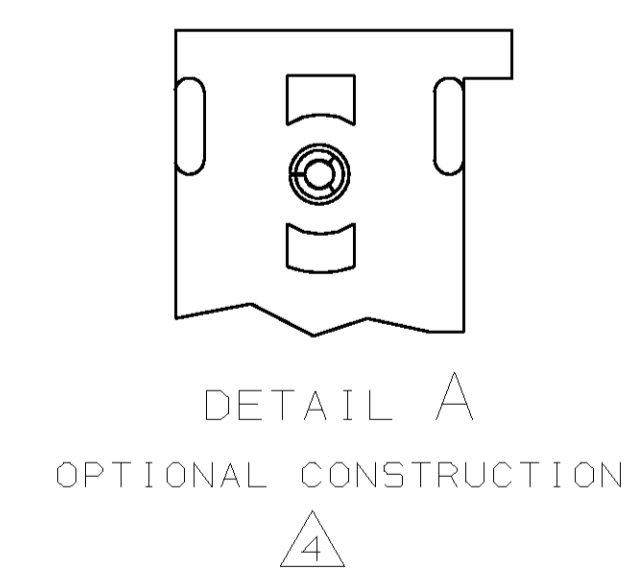


LOC	DIST	REVISIONS			
F	CHR	DESCRIPTION	DATE	OWN	APVD
M		REVISED PER EC 063B-0300-00	23-JUN-00	LM	KC

- PARTS COMPLY TO AMP SOLDERABILITY SPECIFICATION 109-11-3.
- CIRCUIT IDENTIFICATION CHARACTERS ARE ADJACENT TO THE INDICATED CAVITIES, BUT LOCATION AND ORIENTATION MAY DIFFER FROM PRINT.
- DIMENSIONS IN BRACKETS ARE IN INCHES.
- DRAIN HOLES LOCATED AS SHOWN. OPTIONAL CONSTRUCTION- ALL DRAIN HOLES LOCATED 90° AS SHOWN IN DETAIL A.



3-DIMENSIONAL MODEL  
NTS



RECOMMENDED MOUNTING HOLE PATTERN  
FOR 1.57 [.062] THICK P.C. BOARD

PHOSPHOR BRONZE, PRE-TIN PIN CONTACT MATERIAL AND FINISH	NYLON, UL94V-2, NATURAL HOUSING MATERIAL	641967-1 PART NO
THIS DRAWING IS A CONTROLLED DOCUMENT.		AMP Incorporated Harrisburg, PA 17105-3608
DIMENSIONS: mm (INCHES)	TOLERANCES UNLESS OTHERWISE SPECIFIED:	NAME: PIN HEADER ASSEMBLY, POLARIZED, 4 CIRCUIT, UNIVERSAL MATE-N-LOK™
0 PLC ±	1 PLC ±	SIZE: A1
2 PLC ±0.13 (.005)	3 PLC ±	CAGE CODE: 00779
4 PLC ±	5 PLC ±	DRAWING NO: 641967
ANGLES: 40°-90°	FINISH: SEE TABLE	WEIGHT: -
MATERIAL: SEE TABLE	FINISH: SEE TABLE	CUSTOMER DRAWING
SCALE: 5:1		SHEET: 1 OF 1

